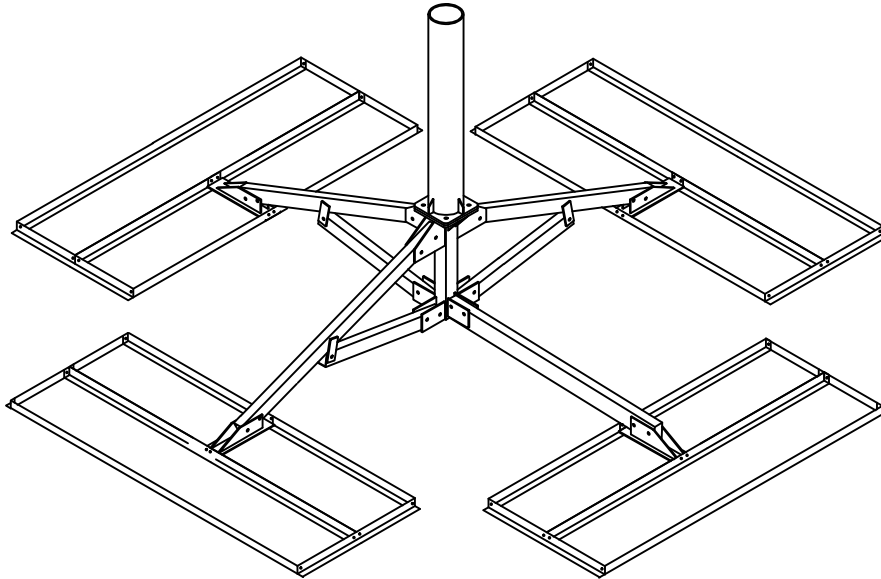


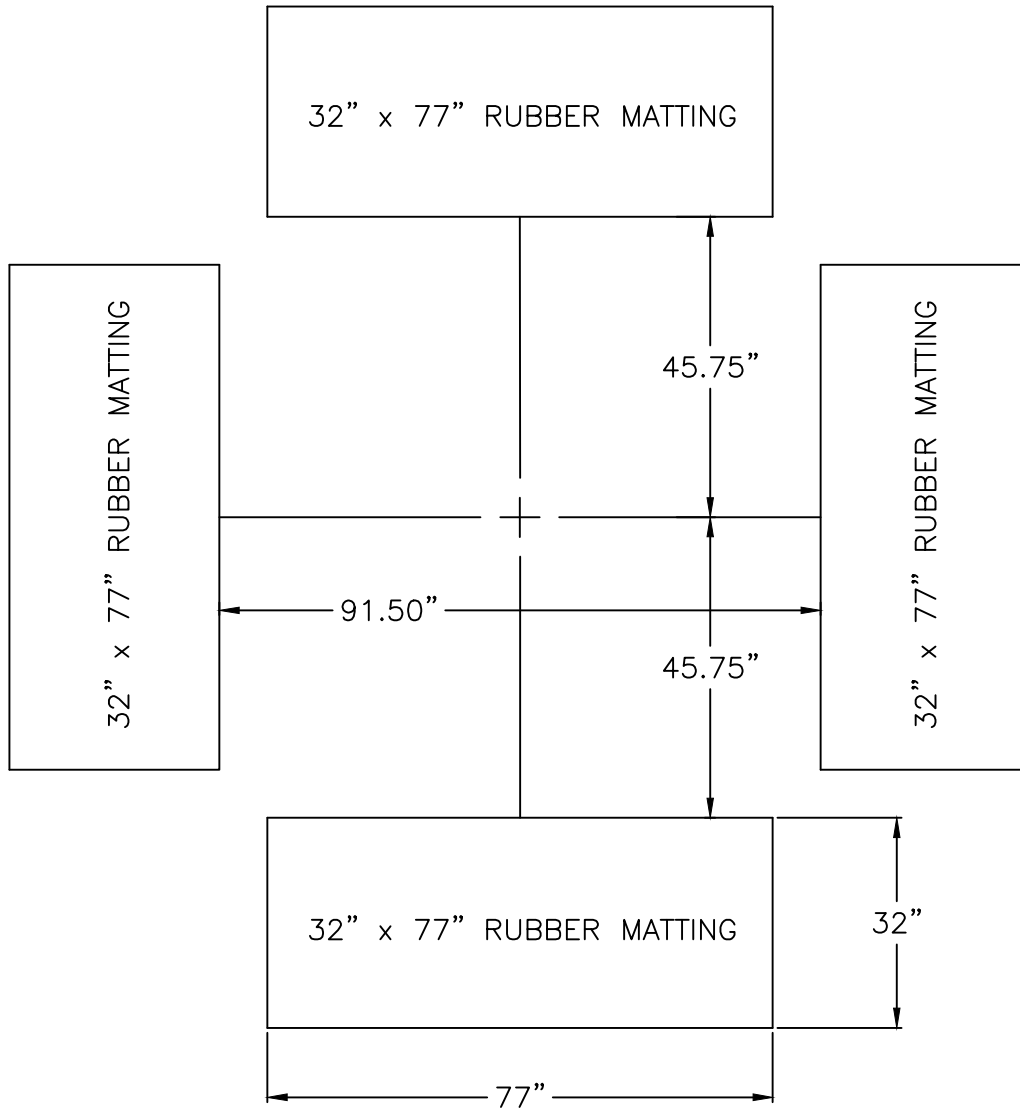
VL4-D-662X3-RP

GD Satcom p/n : 0800-3238



VL-4 BASE, 2'8"x6' BALLAST TRAYS, 6.62"ODx3' MAST,
RUBBER MAT & GD SATCOM PALLET

QTY.	PART #	DESCRIPTION
1	AB1037(9)HD	VL-4 BASE ASS'Y
3	AB1035HD	PL-2/VL-4 SHOE ASS'Y
3	AB1512AHD	PL-2/VL-4 ARM ASS'Y (56"LONG)
3	AB1136AHD	PL-2/VL-4 BRACE (31" LONG)
1	AB1150HD	VL-4 4TH LEG (52.3"LONG)
1	AB1038HD	VL-4 4TH FOOT
4	H1-0625-200GR8	5/8" x 2" BOLT GR.8
4	H2-0625HN	5/8" NUT
4	H4-0625LW	5/8" LOCKWASHER
19	H1-0500-325	1/2" x 3-1/4" BOLT GR.5
19	H2-0500HN	1/2" NUT
19	H4-0500LW	1/2" LOCKWASHER
1	AB1187-3(9)HD	6.62"OD x 3' MAST w/9" PLATE
Hardware bags located inside mast pipe		
6	H1-0500-325	1/2" x 3-1/4" BOLT GR.5
6	H2-0500HN	1/2" NUT
6	H4-0500LW	1/2" LOCKWASHER
48	H1-0375-100	3/8" x 1" BOLT
48	H2-0375HN	3/8" NUT
48	H4-0375LW	3/8" LOCKWASHER
Two Bundles--each contains:		
8	AB1119BHD	6' BALLAST ANGLE
4	AB1127BHD	32" SIDE PAD
4		32"X77" RUBBER MATTING
1	GDS24X80EU	CUSTOM PALLET



- 1.) SELECT DESIRED LOCATION ON THE ROOF.(THE AREA MUST BE CAPABLE OF SUPPORTING THE WEIGHT OF THE SYSTEM).
- 2.) AFTER CHOOSING THE MOUNT LOCATION SWEEP AWAY ANY LOOSE MATERIAL FROM THE AREA WHERE THE MOUNT WILL BE PLACED. THEN LAYOUT THE RUBBER MATTING AS SHOWN IN THE DIAGRAM ABOVE.

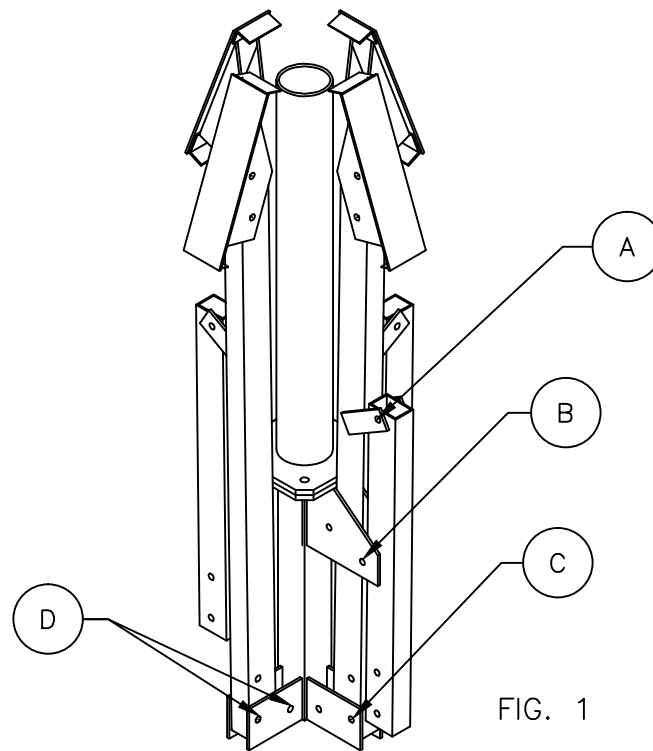


FIG. 1

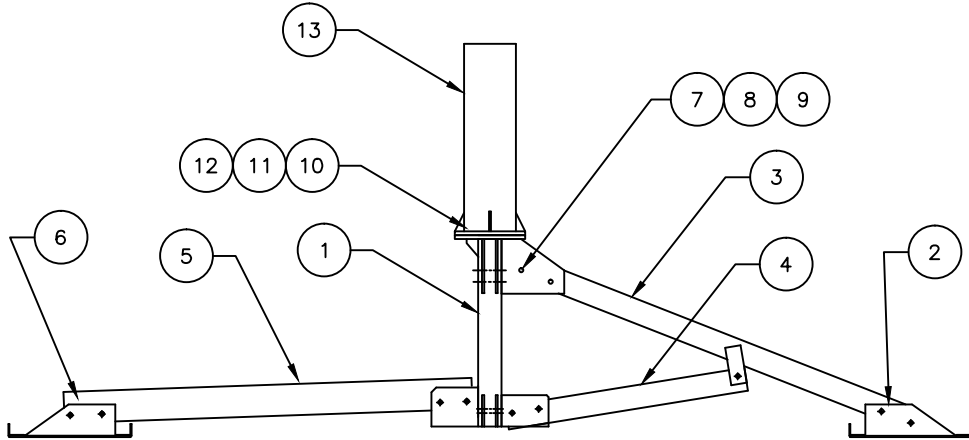
THE VL-4 MOUNTING SYSTEM IS SHIPPED ASSEMBLED AS SHOWN IN FIG.1

- 1.) LOOSEN HARDWARE AT POSITION "A" ON EACH LEG.
- 2.) REMOVE HARDWARE FROM POSITIONS "B" & "C". REMOVE THE LEG ASS'Y FROM THE BASE ASS'Y. REPEAT PROCESS FOR EACH LEG ASS'Y. REMOVE HARDWARE FROM POSITIONS "C" & "D" ON THE FOURTH LEG. SAVE THE HARDWARE, IT WILL BE REUSED.
- 3.) REMOVE THE HARDWARE BAG LOCATED INSIDE THE MAST PIPE.
- 4.) PLACE A 3"-4" BLOCK UNDER THE BASE ASS'Y. (NOT NECESSARY BUT IT WILL EASE THE INSTALLATION OF THE ARM ASSY's).
- 5.) PLACE THE LONG TUBE OF THE LEG ASS'Y INTO THE UPPER FINS AND ATTACH USING (2)1/2"x3-1/4" BOLTS, NUTS & LOCKWASHERS. NEXT, PLACE THE BRACE TUBE INTO THE LOWER FINS AND SECURE USING (2) 1/2"x3-1/4" BOLTS, NUTS & LOCKWASHERS. DO NOT TIGHTEN UNTIL ASSEMBLY IS COMPLETE. REPEAT THIS STEP FOR THREE LEGS.
- 6.) PLACE THE END OF THE 4TH LEG INTO THE LOWER FIN AND SECURE USING (2) 1/2"x3-1/4" BOLTS, NUTS & LOCKWASHERS.
- 7.) REMOVE BLOCK FROM UNDER BASE, IF USED. THEN TIGHTEN ALL HARDWARE.

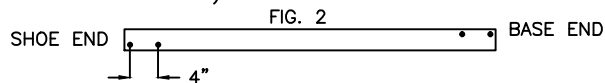


www.bairdmounts.com

SYM.	QTY.	PART #	DESCRIPTION
1	1	AB1037(9)HD	VL-4 BASE ASS'Y
2	3	AB1035HD	PL-2/VL-4 SHOE ASS'Y
3	3	AB1512AHD	PL-2/VL-4 ARM ASS'Y (56"LONG)
4	3	AB1136AHD	PL-2/VL-4 BRACE (31" LONG)
5	1	AB1150HD	VL-4 4TH LEG (52.3"LONG)
6	1	AB1038HD	VL-4 4TH FOOT
7	25	H1-0500-325	1/2" x 3-1/4" BOLT
8	25	H2-0500HN	1/2" NUT
9	25	H4-0500LW	1/2" LOCKWASHER
10	4	H1-0625-200GR8	5/8" x 2" BOLT GR.8
11	4	H2-0625HN	5/8" NUT
12	4	H4-0625LW	5/8" LOCKWASHER
13	1	AB1187-3(9)HD	6.62"OD-3' MAST

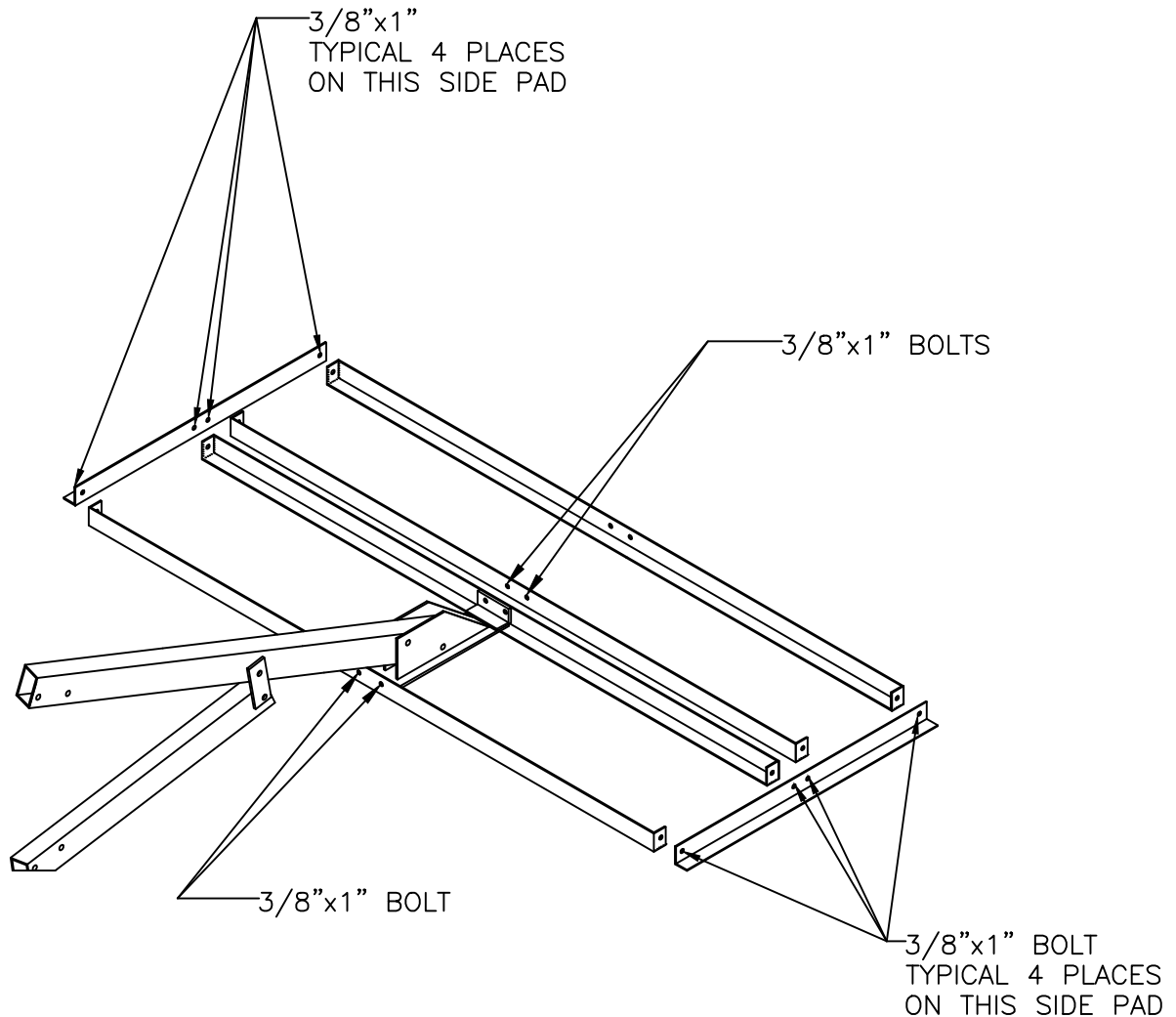


- 1.) THE FOLLOWING INSTRUCTIONS WILL BE HELPFUL IF THE UNIT WAS NOT RECEIVED PACKAGED AS SHOWN IN FIGURE 1.
- 2.) CHECK TO SEE THAT THERE ARE NO MISSING PARTS.
- 3.) LOCATE A 56" ARM & WITH THE TABS POINTING DOWNWARD & AWAY FROM THE BASE. ATTACH THE ARM TO THE UPPER FINS ON THE BASE WITH (2) 1/2"x3-1/4" BOLTS, NUTS & LOCKWASHERS (NOTE: DO NOT TIGHTEN HARDWARE UNTIL MOUNT ASSEMBLY IS COMPLETE).
- 4.) ATTACH THE 31" BRACE TUBE TO THE LOWER FINS ON THE BASE USING (2) 1/2"x3-1/4" BOLTS, NUTS & LOCKWASHERS. ATTACH THE OTHER END OF THE BRACE TO THE TABS ON THE 56" LONG ARM TUBE USING (1)1/2"x3-1/4" BOLT, NUT & LOCKWASHER. (NOTE THE SINGLE HOLE ON THE ON THE BRACE SHOULD BE TOWARDS THE TOP OF THE TUBE).
- 5.) ATTACH A SHOE TO THE END OF EACH OF THE 56" LONG ARMS USING (2) 1/2"x3-1/4" BOLTS, NUTS & LOCKWASHERS PER SHOE.
- 6.) ATTACH ONE END OF THE 4TH LEG(52.3" LONG) TO THE THE 4TH LEG FINS ON THE BASE, USING (2)1/2"x3-1/4" BOLTS, NUTS & LOCKWASHERS. THEN ATTACH THE 4TH FOOT TO THE 4TH ARM USING (2) 1/2"x3-1/4" BOLTS, NUTS & LOCKWASHERS. (SEE FIGURE 2 BELOW)



- 7.) ATTACH MAST PIPE TO THE BASE USING (4) 5/8"x2" GR.8 BOLTS, NUTS AND LOCKWASHERS
- 8.) TIGHTEN ALL HARDWARE.

2'8" x 6' BALLAST TRAYS ASSEMBLY INSTRUCTIONS



ASSEMBLE THE BALLAST TRAY AS SHOWN ABOVE USING (4) 6' BALLAST ANGLES,
(2) 32" SIDE PADS AND (12) 3/8" x 1" BOLTS/NUTS/LOCKWASHERS.
REPEAT FOR EACH LEG.